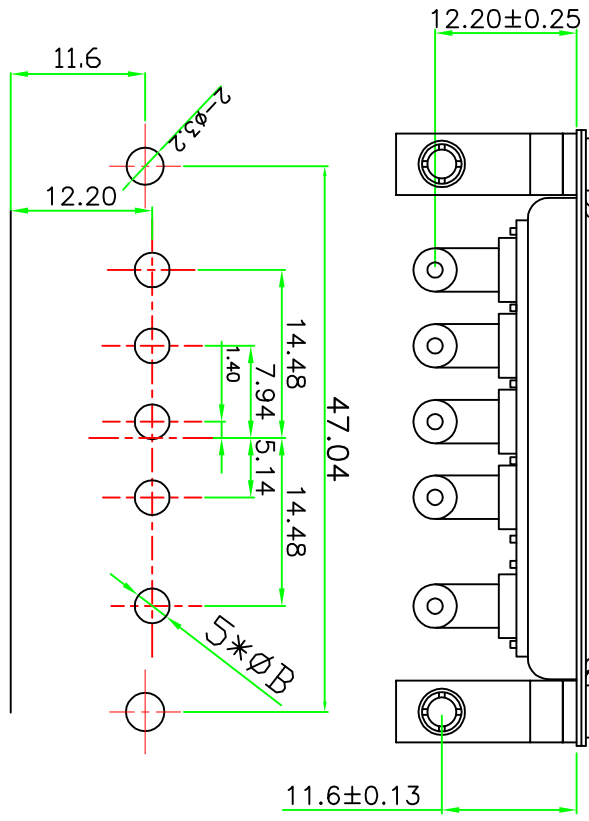
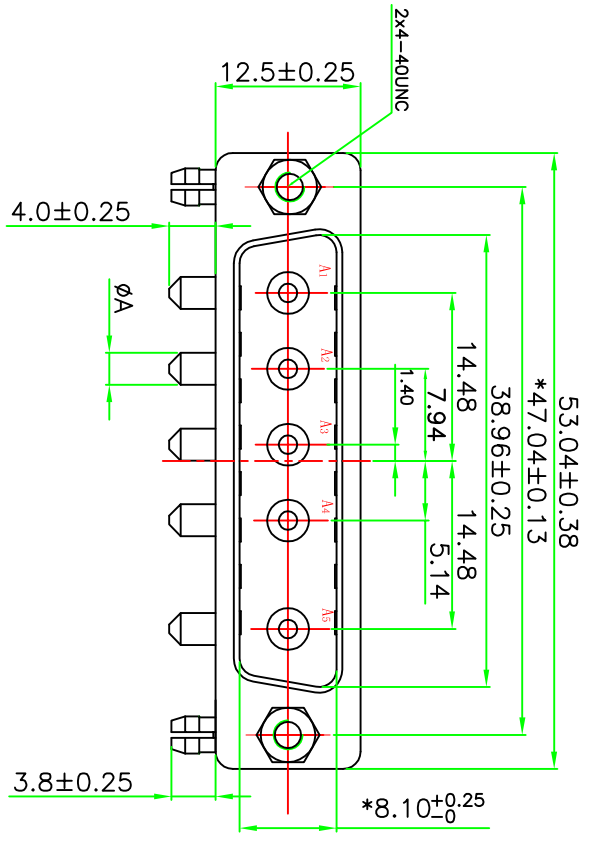
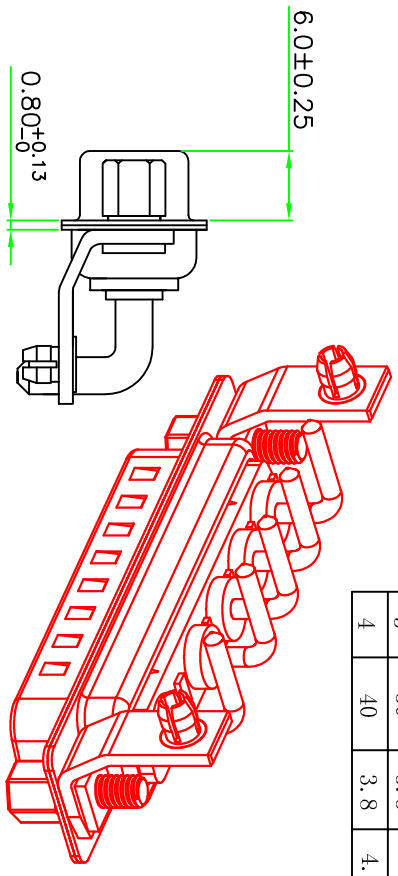


“*” Pivot Dimension

ROHS Component



PCB LAYOUT



PO(X)	电流强度(I)	φA	PCB φB
1	10	1.7	2.0
2	20	2.75	3.0
3	30	3.3	3.6
4	40	3.8	4.10

MATERIALS AND FINISH
 SHELL: STEEL OR COPPER ALLOY MATERIAL, Ti/Ni OR Au FINISHED.
 CONNECTOR INSULATOR: PBT THERMOPLASTIC, 30% GLASS FILLED, UL 94V-0 RATED.
 HIGH POWER CONTACT: COPPER ALLOY MATERIAL, GOLD PLATED.
 BRACKET: COPPER ALLOY MATERIAL, Ni PLATED.
ELECTRICAL CHARACTERISTICS
 HIGH POWER CONTACT CURRENT RATING: 10, 20, 30 OR 40 AMPS.
 THE WORKING VOLTAGE: 300V.
 HIGH POWER CONTACT RESISTANCE: 10 MILLIOHMS MAX.
 DIELECTRIC WITHSTANDING VOLTAGE: 1000 V AC FOR 1 MINUTE.
 INSULATION RESISTANCE: 2000 MEGOHMS MIN.
 TEMPERATURE RATING: -55° ~ +125°.



东莞市迅颢原精密连接器有限公司
 Dongguan Signalorigin Precision Connector Co., Ltd

TOLERANCE:		DRAWN BY :		DATE :		PART NAME:	
X	±0.38	杨剑玉	2010.05.15	5W6 公 电流 弯焊板式 柳11.6 支架		锁4-40UNC*4, 8 螺丝	
X.X	±0.25	侯应文	2010.05.15	X.XX ±0.13		X.X° ±5° X.X° ±2°	
UNIT:	mm [inch]	CHECKED BY :		DATE :		PART NO.:	
SCALE:	1:1	胡超	2010.05.15	XHY-05-1029		MOLD NO.:	
SIZE: A4		APPROVED BY :		DATE :		REMARK	
		胡超		2010.05.15		DRAW NO.	