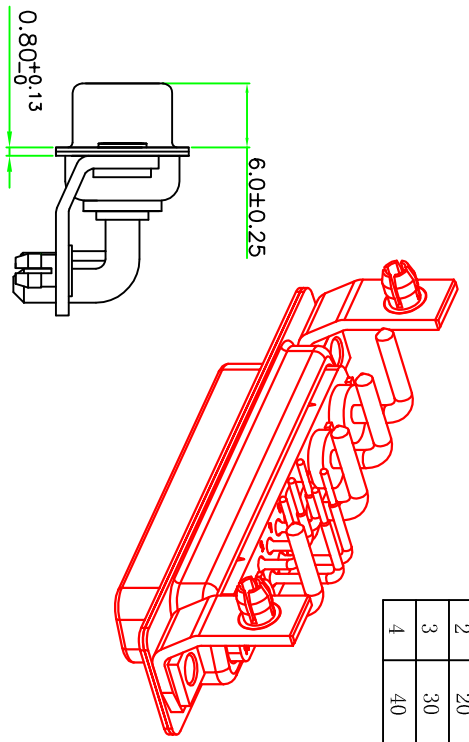
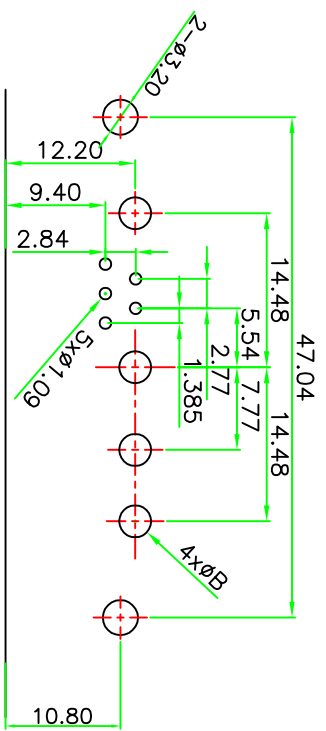
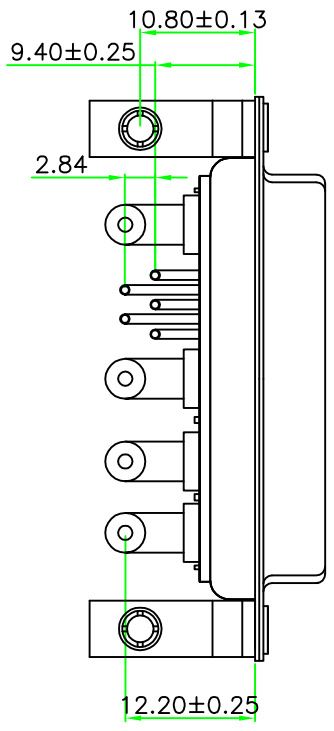
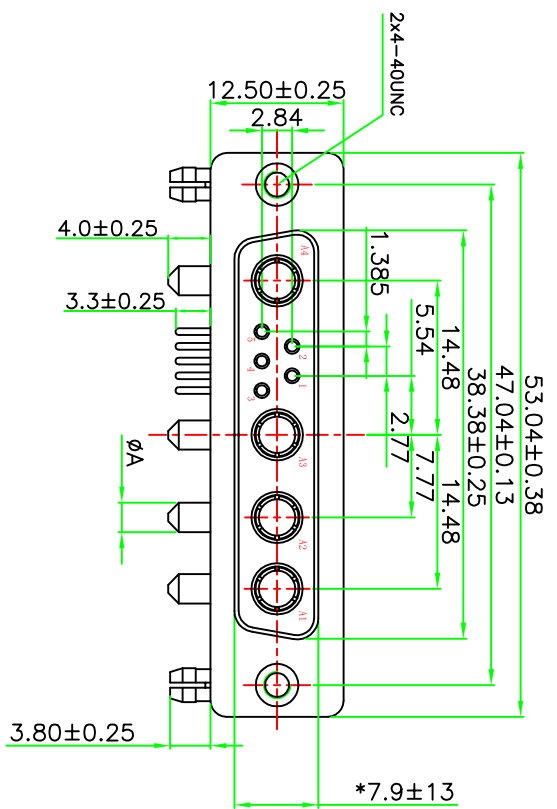


"\*" Pivot Dimension

ROHS Component

PO(X)	电流强度(A)	∅A	PCB ∅B
1	10	1.7	2.0
2	20	2.75	3.0
3	30	3.3	3.6
4	40	3.8	4.10



MATERIALS AND FINISH  
 SHELL: STEEL OR COPPER ALLOY MATERIAL, Tin/Ni OR Au FINISHED.  
 CONNECTOR INSULATOR: PBT THERMOPLASTIC, 30% GLASS FILLED, UL 94V-0 RATED.  
 HIGH POWER CONTACT : COPPER ALLOY MATERIAL, GOLD PLATED.  
 CONNECTOR WITH SIGNAL CONTACT MATERIAL: COPPER ALLOY , GOLD PLATED.  
 BRACKET: COPPER ALLOY MATERIAL, Ni PLATED.  
 ELECTRICAL CHARACTERISTICS  
 HIGH POWER CONTACT CURRENT RATING: 10, 20, 30 OR 40 AMPS.  
 CONNECTOR WITH SIGNAL CONTACT CURRENT RATING : 3.0 AMPS.  
 THE WORKING VOLTAGE: 300V.  
 HIGH POWER CONTACT RESISTANCE: 2.7 MILLIOHMS MAX.  
 DIELECTRIC WITHSTANDING VOLTAGE: 1000 V AC FOR 1 MINUTE.  
 INSULATION RESISTANCE: 2000 MEGAOHMS MIN.  
 TEMPERATURE RATING: -55° ~ +125° .



东莞市迅颢原精密连接器有限公司  
 Dongguan Signalorigin Precision Connector Co., Ltd

<b>TOLERANCE:</b>		<b>DRAWN BY :</b>		<b>DATE :</b>		<b>PART NAME:</b>	
X	±0.38	杨剑玉	2010.05.15	9W4 母 电流弯焊板式铆10.8支架			
X.X	±0.25	侯应文	2010.05.15	MOLD NO.		PR09W4FHXH0900000000000	
X.XX	±0.13	胡超	2010.05.15	PART NO.		XHY-05-1822	
X.X ±0.5	X.X ±0.2	APPROVED BY: DATE :		REMARK		DRAW NO.	
UNTR: mm [inch]		SCALE: 1:1		SIZE: A4			

PCB LAYOUT