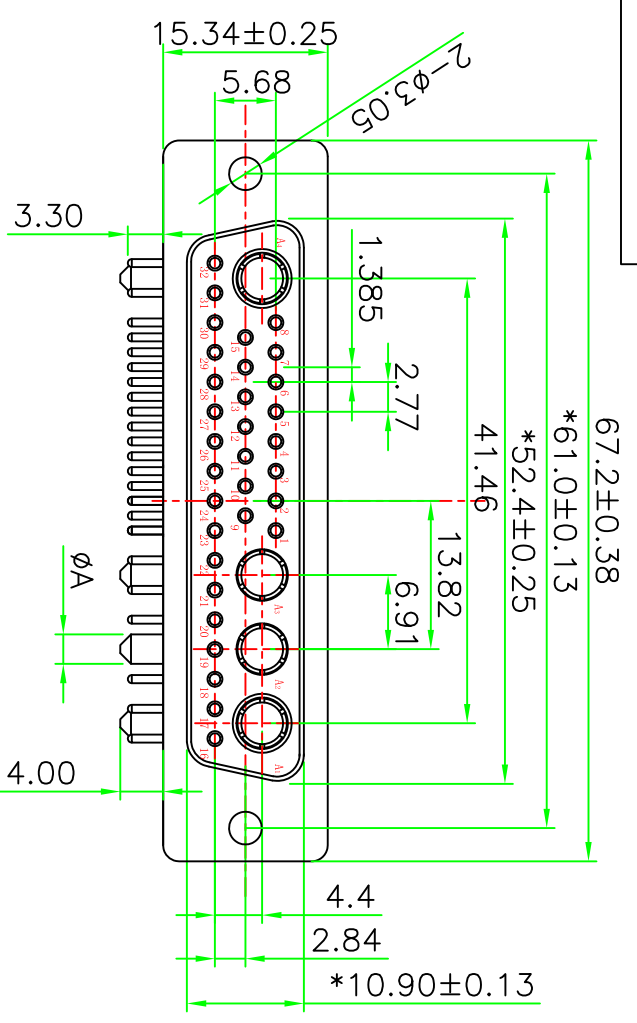
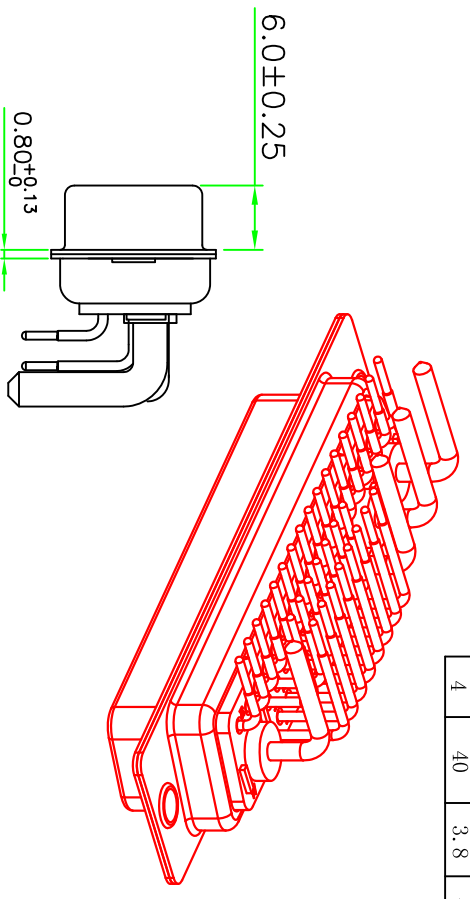


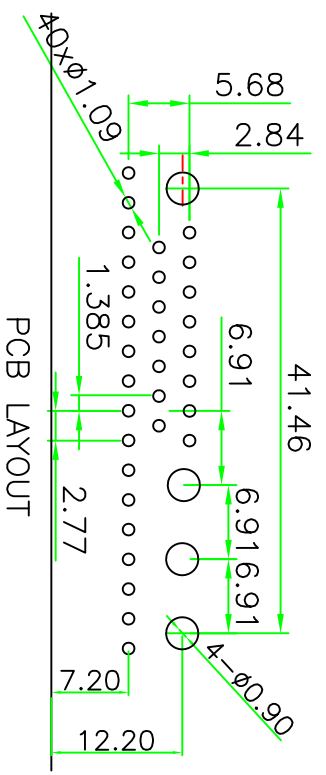
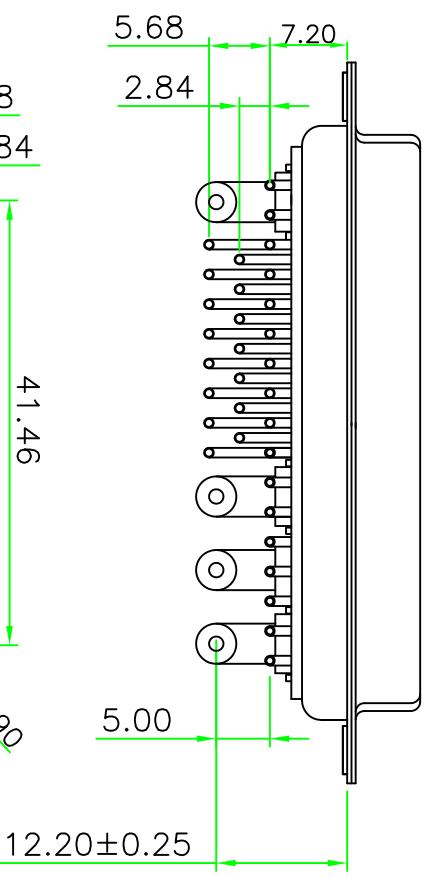
“*” Pivot Dimension



RoHS Component



PO(X)	串数/脚数(N)	∅A	PCB ∅B
1	10	1.7	2.0
2	20	2.75	3.0
3	30	3.3	3.6
4	40	3.8	4.10



MATERIALS AND FINISH
 SHELL: STEEL OR COPPER ALLOY MATERIAL, Tin/Ni OR Au FINISHED.
 CONNECTOR INSULATOR: PBT THERMOPLASTIC, 30% GLASS FILLED, UL 94V-0 RATED.
 HIGH POWER CONTACT: COPPER ALLOY MATERIAL, GOLD PLATED.
 CONNECTOR WITH SIGNAL CONTACT MATERIAL: COPPER ALLOY, GOLD PLATED.
ELECTRICAL CHARACTERISTICS
 HIGH POWER CONTACT CURRENT RATING: 10, 20, 30 OR 40 AMPS.
 CONNECTOR WITH SIGNAL CONTACT CURRENT RATING: 3.0 AMPS.
 THE WORKING VOLTAGE: 300V.
 HIGH POWER CONTACT RESISTANCE: 2.7 MILLIOMS MAX.
 DIELECTRIC WITHSTANDING VOLTAGE: 1000 V AC FOR 1 MINUTE.
 INSULATION RESISTANCE: 2000 MEGAOMHS MIN.
 TEMPERATURE RATING: -55° ~ +125° .



扬明精密塑胶五金电子有限公司
 YangMing Precision of Plastic Metal Electronic Co., Ltd

TOLERANCE: X .±0.38 XX ±0.25 XXX ±0.13 X° ±8° XX° ±1°	DRAWN BY : 杨冬梅	DATE : 2009. 09. 11	PART NAME: 36W4 母 电流弯焊板式传统柳合
	CHECKED BY: 余飞仙	DATE : 2009. 09. 12	DRAW NO.: YN-05-4226
UNTR: mm [inch] SCALE:1:1 SIZE: A4	APPROVED BY: 胡超	DATE : 2010.01.30	REMARK MOLD NO.