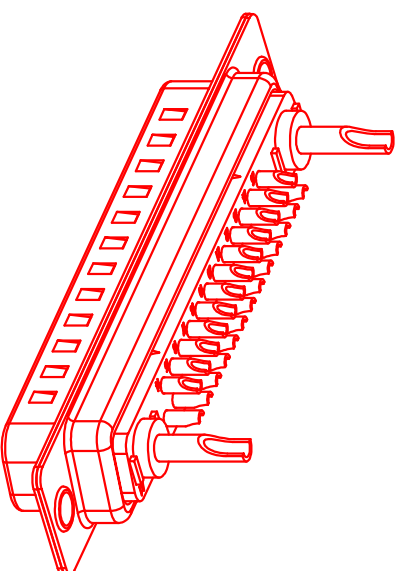
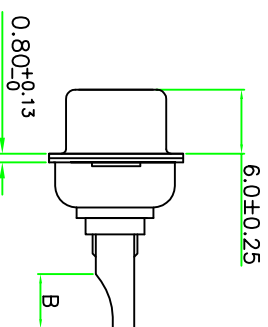
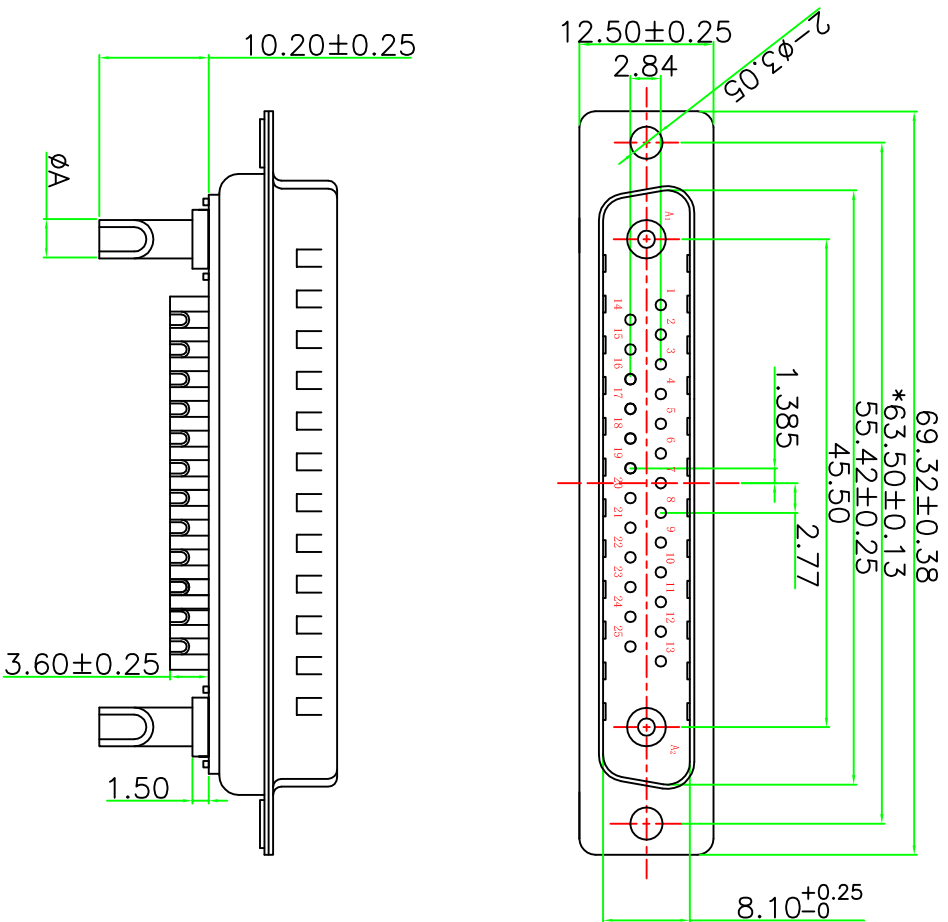


“*” Pivot Dimension

RoHS Component

P0(X)	A	B	WIRE	CURRENT RATING(A)
1	2.5	4.5	14#~16#	10
2	3.6	5.0	10#~12#	20
3	4.4	5.5	8#~10#	30
4	5.5	5.5	6#~8#	40



MATERIALS AND FINISH
 SHELL: STEEL OR COPPER ALLOY MATERIAL, Tin/Ni OR Au FINISHED.
 CONNECTOR INSULATOR: PBT THERMOPLASTIC, 30% GLASS FILLED, UL 94V-0 RATED.
 HIGH POWER CONTACT : COPPER ALLOY MATERIAL, GOLD PLATED.
 CONNECTOR WITH SIGNAL CONTACT MATERIAL: COPPER ALLOY , GOLD PLATED.
 ELECTRICAL CHARACTERISTICS
 HIGH POWER CONTACT CURRENT RATING: 10, 20, 30 OR 40 AMPS.
 CONNECTOR WITH SIGNAL CONTACT CURRENT RATING : 5.0 AMPS.
 THE WORKING VOLTAGE: 300V.
 HIGH POWER CONTACT RESISTANCE: 2.7 MILLIOHMS MAX.
 DIELECTRIC WITHSTANDING VOLTAGE: 1000 V AC FOR 1 MINUTE.
 INSULATION RESISTANCE: 2000 MEGAOHMS MIN.
 TEMPERATURE RATING: -55° ~ +125° .



东莞市迅颢原精密连接器有限公司
 Dongguan Signalorigin Precision Connector Co., Ltd

TOLERANCE:		DATE :		PART NAME:	
X	±0.38	杨冬梅	2009. 09. 11	27W2 公 电流焊线式传统铆合	
XX	±0.25	余飞仙	2009. 09. 12	DRAW NO.	XHY-05-3801
XXX	±0.13	胡 越	2010. 01. 30	PART NO.	PB27W2FYH0000000000000
X° ±3°	X.X° ±1°	APPROVED BY:	DATE :	REMARK	
UNTT: mm [inch]		SCALE:1:1		MOLD NO.	
SIZE: A4					